

# **PACTO®**



## **USER'S MANUAL**

[www.pactotoilet.com](http://www.pactotoilet.com)

# Contents

Flush Foil	3
Installation	4
Start Up	5
Emptying	7
Advice and Recommendations	8
Troubleshooting	9
Spare Parts	10
Consumables	10
Measurements	10

For enquiries about the Pacto toilet, please contact your local distributor.

The Pacto toilet is manufactured and marketed by Danfo AB.

Danfo AB, P.O. Box 103, 713 23 Nora, Sweden

Tel: +46 587 861 00

Email: [info@danfo.com](mailto:info@danfo.com)

[www.danfo.com](http://www.danfo.com)

# Thank you for choosing the **PACTO**<sup>®</sup> Toilet System

## **Flush Foil**

In lieu of water, the Pacto toilet system uses a specially developed flush foil to encapsulate the waste. The flush foil comes in two versions. One ecological that can be composted, and one made from polyethylene.

## **Ecological Flush Foil\***

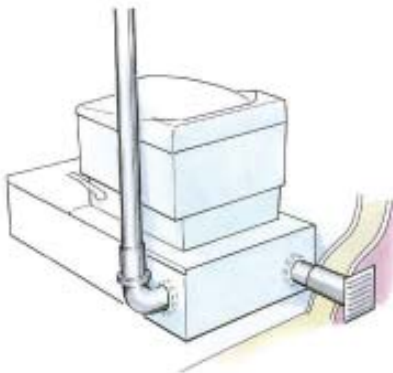
- ✓ Made from corn starch.
- ✓ Fully degradable when composted together with household and/or garden waste.
- ✓ The product is perishable. Ecologic foil should be stored in a cool, dark and dry place. Storage in other environments shortens the life of the unused foil.
- ✓ Foil manufacturing date is indicated on the carton and on the stop mark on the foil. Shelf life when stored as above is 2 years. The warranty period is 1 year from date of manufacture.
- ✓ To achieve optimal composting, the maintenance instructions of the supplier of the compost unit must be followed. In well-functioning household and garden compost film breaks down in about 6 months. The degradation in a pure latrine compost is delayed.

*\* Can not be used in the old electric Pacto toilet.*

## **Polyethylene Flush Foil**

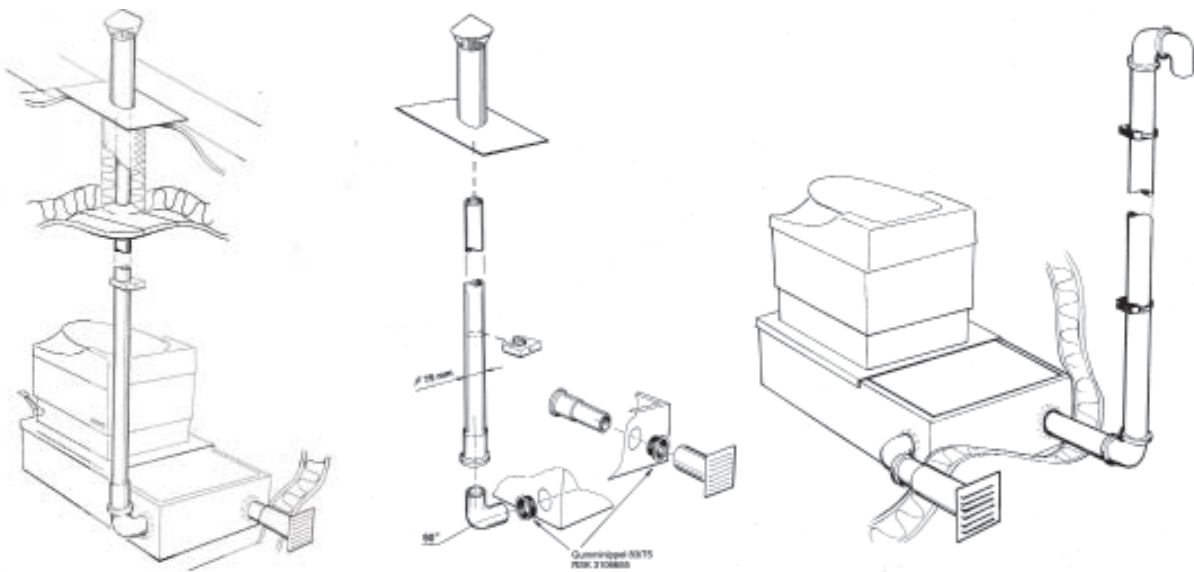
- ✓ Non compostable.
- ✓ When incinerated, the only waste products are carbon dioxide and water.

# Installation



The toilet itself is placed on a Pacto Podium, in which the waste is stored prior to emptying.

The installation should be fitted with ventilation. The Podium is aired using 2 standard 3-inch plastic pipes, one placed horizontally and one vertically with the outlet for the latter above the roof. Alternatively, ventilation can be achieved using a standard duct fan.



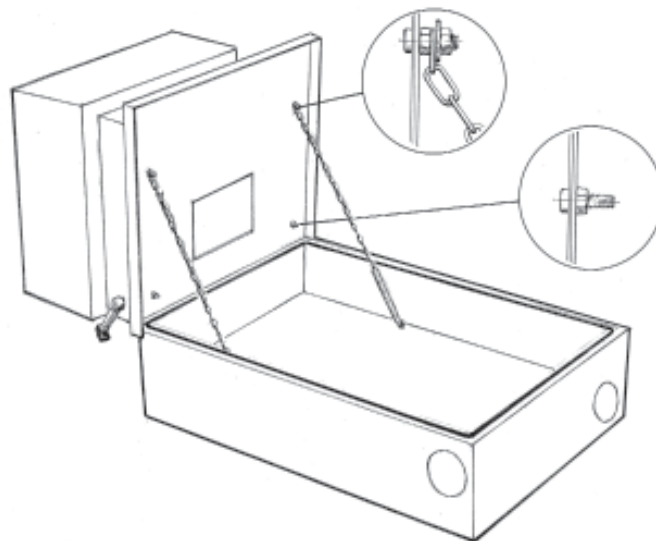
## Start Up

1. Assemble the toilet by following the instructions on the inside of the toilet.
2. Attach to Pacto Podium (see instructions for Podium).
3. Install ventilation.

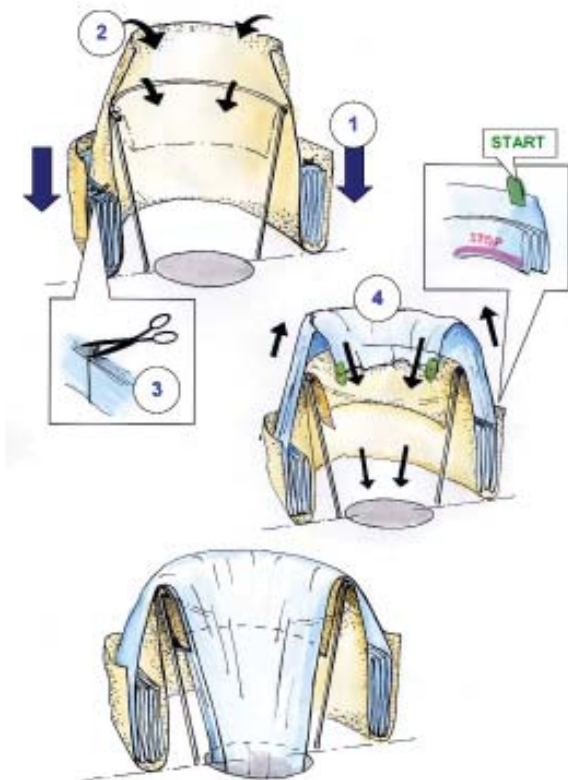


## Load Collection Bags

1. Remove the top of the toilet.
2. Remove the front part of Pacto Podium.
3. Grab the front wall of the toilet and pull it toward the front of the Podium.
4. Angle the toilet forward until it rests suspended from the chains.
5. Load collection bags, starting with the thick black sack.
6. Angle the toilet backward until it rests fully on Podium and slide it into locked position.
7. Put the front part of Podium back into place.



## Load Flush Foil



1. Carefully place the cartridge of flush foil around the wire ring.
2. Remove the 4 strings tying the cartridge together.
3. Grab the outer layer of the cartridge and pull up enough flush foil to allow two strong knots to be tied. If the foil shows a red text warning, the cartridge has been installed inside out.
4. Push down the pedal to open the seal and place the knots into the feeding mechanism. Feed down by pushing the pedal repeatedly.
5. Put the top of the toilet back into place. The toilet system is now ready for use.

### **Recommendation for the ecological flush foil**

To absorb possible condensation, cover the bottom of the white ecological collection bag with a layer (2 inches/5 cm) of soil. The soil used must be free from sharp objects, as these can pierce the flush foil and cause a leak. The soil must be unfertilized as fertilized soil starts the degradation process of the flush foil.

## Emptying

1. Remove the top of the toilet.
2. Pull more flush foil from the unused cartridge: pull straight up and cut the foil with enough spare material to tie two strong knots.
3. Tie two strong knots and feed through the feeding mechanism into the Podium.
4. Open up Podium (see description under Start Up).
5. Move the flush foil to disposal site using the collection bag. Dispose of the flush foil and put the collection bag back into Podium.
6. Repeat the steps above to load new flush foil and put the parts back into place.

## Intervals for Emptying

- As a general guideline, the toilet system should be emptied at a minimum of twice a week.
- Ecologic foil is a biodegradable product that reacts in the toilet after the first visit. This places great demands on the user to periodically empty the container to prevent leakage. Other factors affecting the degradation process of the foil are light, heat and humidity.
- The flush foil has a printed warning that shows towards the end of the cartridge, to indicate that a new cartridge should be prepared.

## **Advice and Recommendations**

- The movable parts of the feeding mechanism should be greased at least once every year (with the exception of the wheels themselves, which should not be treated).
- Be aware that the Podium may be slippery when wet.
- The toilet system should never be used for general waste disposal.
- Sharp objects may pierce the flush foil and cause a leak.

## **Economy Tips**

- When the Pacto toilet system is only used for liquid human waste, the pedal can be pushed down halfway to open the seal into the Podium without using flush foil.
- The collection bags are only intended to facilitate transportation and can be re-used many times.



# Troubleshooting

## Issue

## Case/Solution

The flush foil feeds unevenly.

Ensure that the flush foil is gripped by both pairs of wheels.

The flush foil is not fed when the pedal is pushed.

The pedal may have been damaged. Replace the pedal or contact your supplier.

Leakage.

Ensure that the knots are tightly sealed and that the flush foil has not been damaged.

Unpleasant smell.

Empty the waste more frequently and ensure that the ventilation is working properly.

## Spare Parts

<u>Article</u>	<u>Item</u>
03020	Toilet Seat (seat, lid and fastening)
03050	Cover Lid (top excluding toilet seat, 03020)
03448	Pedal
03601	Wire Frame (for Collection Bags)
03500	Feeding Mechanism
03401	Feeding Roller
03421	Long Spring
03422	Short Spring

## Consumables

<u>Article</u>	<u>Item</u>
202920	Flush Foil, Ecological (biodegradable)
04001	Flush Foil, Polyethylen 5x39 m
04006	Flush Foil, Polyethylen 1x39 m
04010	Collection Bag, Polyethylen
04012	Collection Bag, Ecological (biodegradable)

## Measurements (mm)

	<u>Toilet</u>	<u>Podium</u>
Depth:	484	817
Width:	483	560
Height:	415 <sup>*)</sup>	219
Weight:	16 kg	20 kg

<sup>\*)</sup> height of seat

# Notes

---

---

---

---

---

---

---

---

---

---

---

---

---

---

---

---

---

---

---

---

---

---

---

---

---

---

---

---

---